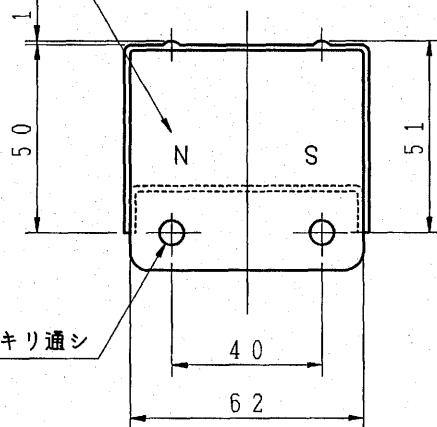



磁極 刻印  
(上面、下面 共)



2 x 2 - φ6.5キリ通シ



|  |                                  |          |        |                  |            |                      |               |
|--|----------------------------------|----------|--------|------------------|------------|----------------------|---------------|
| DRAWING NO.  | FS-100                           | QUANTITY |        | DIVISION MANAGER | Y. MORI    | CUSTOMER             |               |
| TITLE  | マグネット シート セパレータ<br>MGSS-FS-100 ▲ |          |        | SECTION MANAGER  |            | CUSTOMER DRAWING NO. |               |
|  |                                  |          |        | CHECK OF DRAWING |            | A REMARKS COLUMN     | SPEC.         |
|  |                                  |          |        | DRAWING          |            | DATE                 | 10.11.18      |
|  |                                  |          |        | DESIGN           |            | IDENTITY             | 森 ▲ 型式変更により訂正 |
|  |                                  |          |        | PERSON IN CHARGE |            |                      |               |
| CAD NO.  | 2:STANDARD#MGSS#FS100            |          | WEIGHT | --.-kgf          |            |                      |               |
| PROJECTION   | THIRD ANGLE PROJECTION           | SCALE    | 1/2    | DATE             | 2002/03/11 |                      |               |
|  <b>SANSHIN KINZOKU KOGYO CO., LTD.</b> |                                  |          |        |                  |            |                      |               |